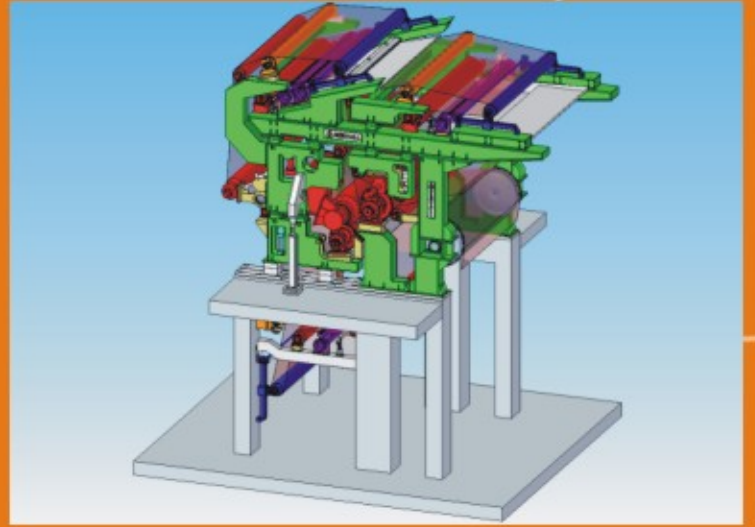
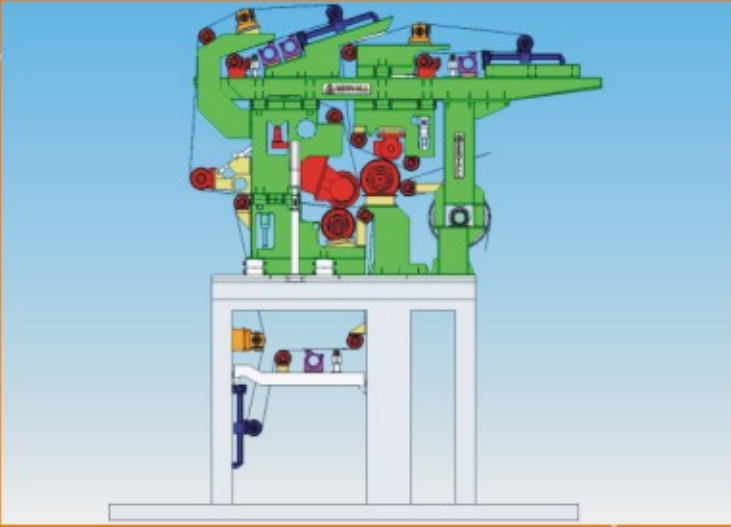


TRINIP PRESS



- STATE OF ART TECHNOLOGY FROM M/s WALMSLEYS, UK.
- ENGINEERED FOR HIGH SPEED PAPER MACHINES.
- AVOIDANCE OF TWO SIDEDNESS.
- MAXIMUM DEWATERING EFFICIENCY
- VIBRATION FREE - STURDY DESIGNS.
- SUITABLE FOR HIGH NIP LOADS.
- QUICK FELT & ROLL CHANGE
- EASY TAIL FEED
- NON CANTILEVERED (COST EFFECTIVE) AND FULLY CANTILEVERED OPTIONS

